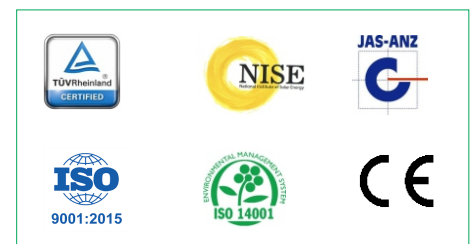
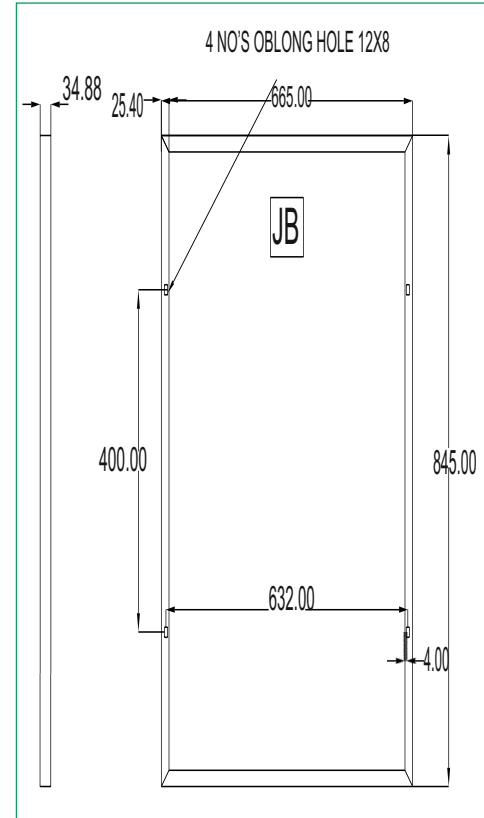


# MICROTHRON SERIES

## 3BB/4BB SERIES

Model Type	EFS12075MC36
<b>Electrical Data: at Standard test condition (STC)*</b>	
Maximum power ( $P_{max}$ )	75 W
Open circuit voltage ( $V_{oc}$ )	22.32 V
Short circuit current ( $I_{sc}$ )	4.54 A
Voltage at $P_{max}$ ( $V_{mp}$ )	18.1 V
Current at $P_{max}$ ( $I_{mp}$ )	4.15 A
Tolerance at $P_{max}$	±3% Wp
<b>Thermal Data:</b>	
Temperature coefficient of $V_{oc}$	-0.36 %/K
Temperature coefficient of $I_{sc}$	0.06 %/K
Temperature coefficient of $P_{max}$	-0.43 %/K
Normal operating cell temperature	47±2 °C
<b>Mechanical Data:</b>	
Cell type	Multi Crystalline
Solar cell per module	36
Module dimensions L x W x T, mm	845 x 665 x 35
Mounting hole pitch (Y)	400 mm
Mounting hole pitch (X)	630mm
Mounting hole size (A)	12 x 8.5mm oblong holes at 4 places
Module weight, Kg	6.5
Module area, m <sup>2</sup>	0.562
Junction box	3 terminal with 2 bypass diode
Front cover	3.2 Toughened textured low iron glass
Embedding	EVA (ethylene vinyl acetate)
<b>Permissible operating conditions:</b>	
Operating temperature range	-40 °C TO 85 °C
Maximum system voltage	1000 VDC
Application class	A
<b>Warranty and Certifications</b>	
Product Warranty	10 years on materials & workmanship
Performance Warranty	25 years linears power out put



Notes:

\* STC: 1000 W/m<sup>2</sup> irradiance, 25°C cell temperature, AM 1.5g spectrum according to EN 60904-3

The specifications and the key feature may deviate due to on going innovation, research and product enhancement. Enfros reserves the right to make any changes/modifications to the information described herein at any time without prior notice.  
 Warranty - Please refer to "Enfros Solar Warranty" document for Terms & Conditions  
 Certifications - IEC 61215 Ed. 2, IEC 61730, IEC 61701, CE

ENFROS TECHNOLOGIES PVT. LTD.

Plot No. 109, 1st Phase Harohalli Industrial Area, Kanakapura Taluk, Ramanagara District, Bangalore - 562 112. (KA, INDIA)

Mail to - [info@enfros-solar.com](mailto:info@enfros-solar.com), [sales@enfros-solar.com](mailto:sales@enfros-solar.com)

Phone - +91 76249 56112, +91 96862 53007

[www.enfros-solar.com](http://www.enfros-solar.com)