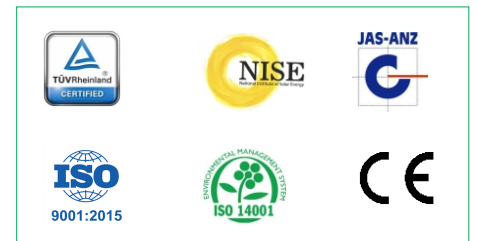
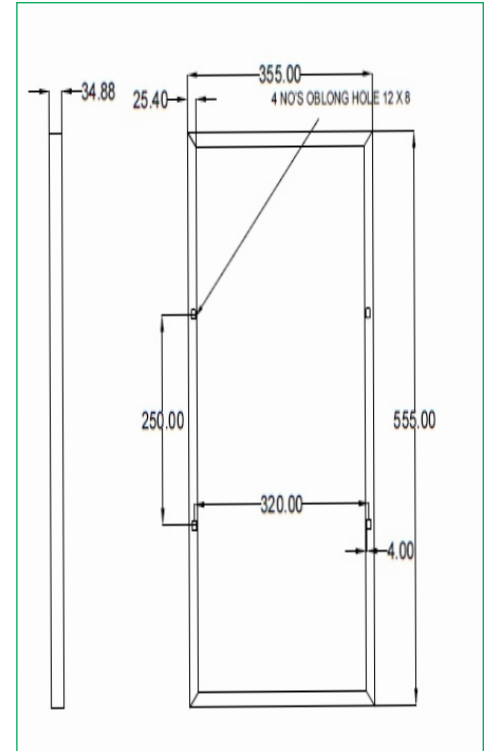


# NANOTHRON SERIES

## 3BB/4BB SERIES

Model Type	M36
<b>Electrical Data: at Standard test condition (STC)*</b>	
Maximum power ( $P_{max}$ )	25 W
Open circuit voltage ( $V_{oc}$ )	22.32 V
Short circuit current ( $I_{sc}$ )	1.51 A
Voltage at $P_{max}$ ( $V_{mp}$ )	18.1 V
Current at $P_{max}$ ( $I_{mp}$ )	1.39 A
Tolerance at $P_{max}$	±3% Wp
<b>Thermal Data:</b>	
Temperature coefficient of $V_{oc}$	-0.36 %/K
Temperature coefficient of $I_{sc}$	0.06 %/K
Temperature coefficient of $P_{max}$	-0.43 %/K
Normal operating cell temperature	47±2 °C
<b>Mechanical Data:</b>	
Cell type	Multi Crystalline
Solar cell per module	36
Module dimensions L x W x T, mm	555 x 355 x 35
Mounting hole pitch (Y)	250 mm
Mounting hole pitch (X)	320mm
Mounting hole size (A)	12 x 8.5mm oblong holes at 4 places
Module weight, Kg	2.42
Module area, m <sup>2</sup>	0.209
Junction box	2 terminal
Front cover	3.2 Toughened textured low iron glass
Embedding	EVA (ethylene vinyl acetate)
<b>Permissible operating conditions:</b>	
Operating temperature range	-40 °C TO 85 °C
Maximum system voltage	600 VDC
Application class	A
<b>Warranty and Certifications</b>	
Product Warranty	10 years on materials & workmanship
Performance Warranty	25 years linears power out put



Notes:

The specifications and the key feature may deviate due to on going innovation, research and product enhancement. Enfros reserves the right to make any changes/modifications to the information described herein at any time without prior notice.  
Warranty - Please refer to "Enfros Solar Warranty" document for Terms & Conditions  
Certifications - IEC 61215 Ed. 2, IEC 61730, IEC 61701, CE